



FR-59251 Allennes Les Marais (Lille)

Phone: +33 (0) 320 53 62 98

Fax: +33 (0) 320 53 63 08

Website: <http://www.soudeuse-haute-frequence.com>

Courriel: [transtec.hf@soudeuse-haute-frequence.com](mailto:transtec.hf@soudeuse-haute-frequence.com)

## ELECTRON TUBES

## THYRATRON TThG2

Vin max	7.5/2.5 kV
Ia max	0.5/1 A
Iap max	12 A
Po max	2.4 kW
Hg	
High voltage rectifiers	

### ELECTRICAL DATA

Cathode directly heated	
Filament Voltage +5% -10%	2.5 V
Filament Current	7 A
Tf	10 s
Tj	10 μs
Td / Vg = -10V	700 μs
Td / Vg = -100V	50 μs
Varc	12 V
Vinverse	7.5 kV
Capacitance: Cag	1.7 pF
Capacitance: Cgc	6 pF



### TYPICAL OPERATING CONDITIONS

#### Maximum Ratings

Frequency	150 Hz
Temperature Hg	25..60 °C
V inverse	7.5 kV
V forward	7.5 kV
I anode	0.5 A
I anode pulse	6 A
I anode (0.1 sec)	25 A
V gnc	- 500 V
V gcond	- 10 V
Ig	10 mA
Rg	100 k ohm
T fn (Ia)	15 sec
T fn (Ig)	20 ms
Rg optimal	50 k ohm
T Hg optimal +/- 5 °C	35 °C
T Hg minimum	25 °C

Frequency	150 Hz
Temperature Hg	25..70 °C
V inverse	2.5 kV
V forward	2.5 kV
I anode	1.0 A
I anode pulse	12 A
I anode (0.1 sec)	25 A
V gnc	- 500 V
V gcond	- 10 V
Ig	10 mA
Rg	100 k ohm
T fn (Ia)	15 sec
T fn (Ig)	20 ms
Rg optimal	50 k ohm
T Hg optimal +/- 5 °C	35 °C
T Hg minimum	25 °C

Equivalent Thyratrons:

TQ1/2

TQ2



FR-59251 Allennes Les Marais (Lille)

Phone: +33 (0) 320 53 62 98

Fax: +33 (0) 320 53 63 08

Website: <http://www.soudeuse-haute-frequence.com>

Courriel: [transtec.hf@soudeuse-haute-frequence.com](mailto:transtec.hf@soudeuse-haute-frequence.com)

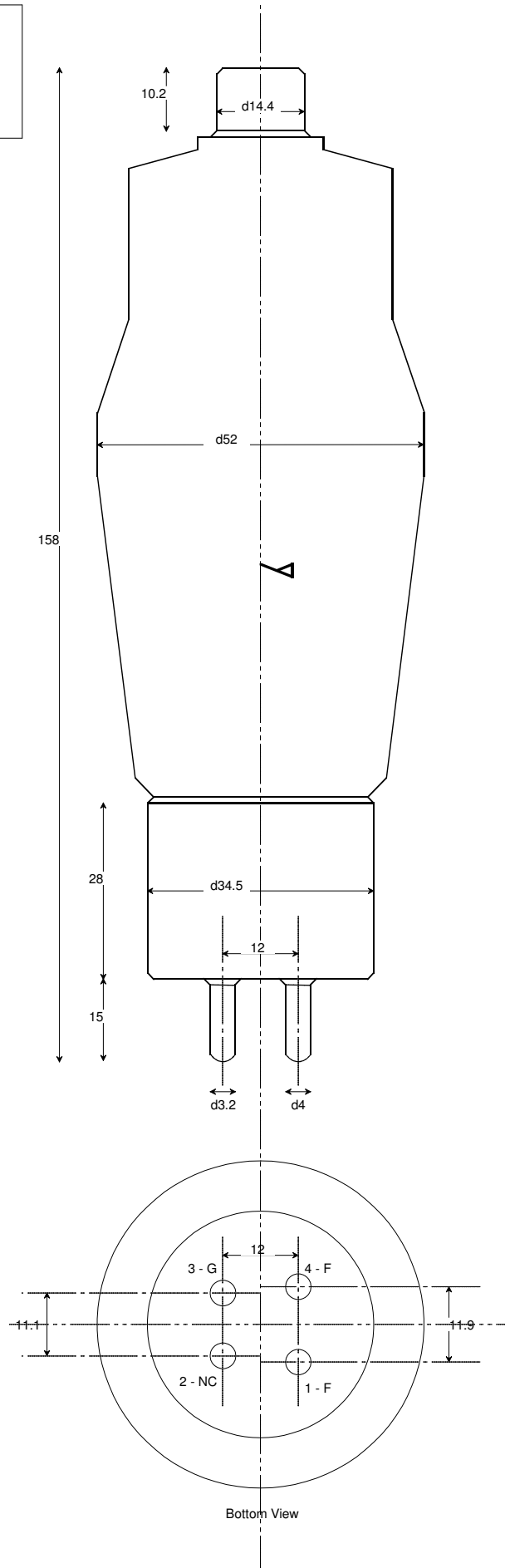
# THYRATRON TQ2

TRANSTEC.HF - FR 59251 Allennes

Reference: P6806-ThG2

Scale: 1

General margins: +/- 0,5



**Mecanical:**

Operating position      Vertical  
    Horizontal

Weight                              0.070 kg

**Accessories:**

Socket    medium 4 pins      A 4-10

Anode connex

Packaging

**Cooling:**

Bulb cooling                              radiation

Anode cooling by connex      forced air

Socket cooling                              forced air

Max temperature bulb      250 °C